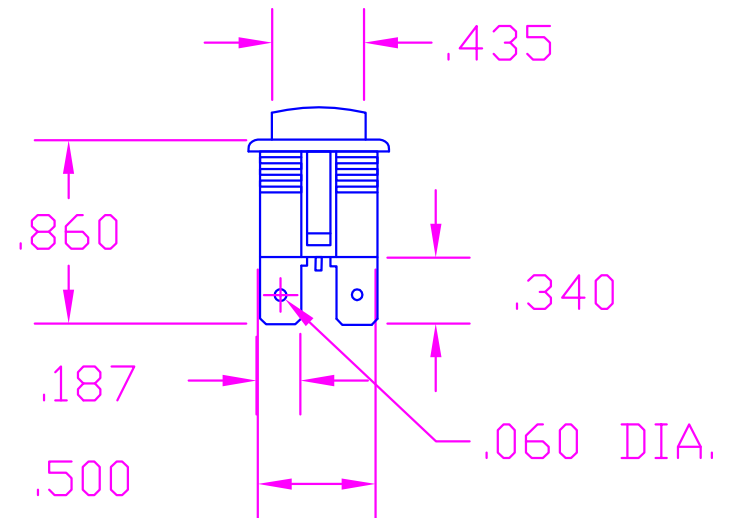
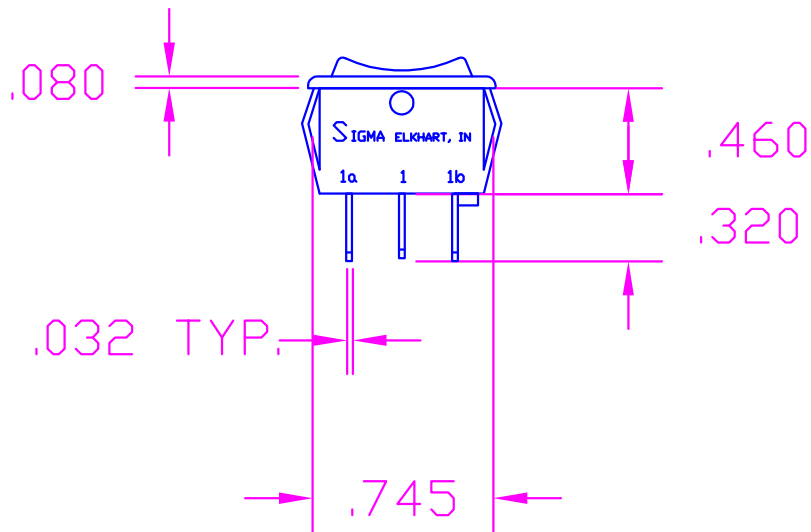
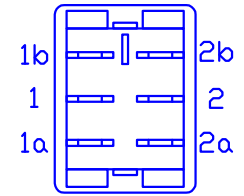
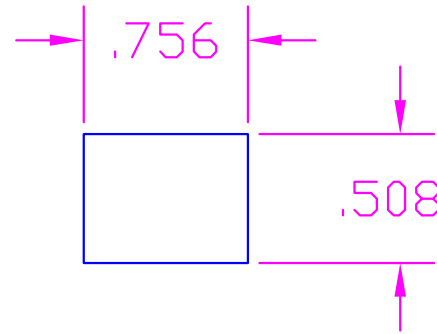
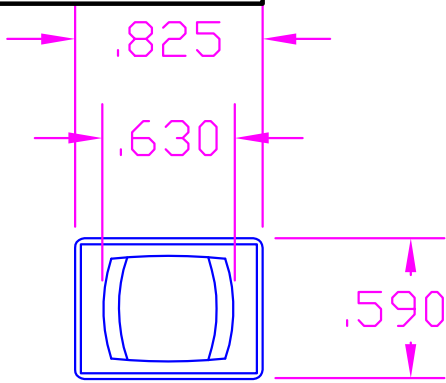


S2-67-NB

BOTTOM VIEW



SPECIFICATIONS:
 13 A. 125 V.A.C.
 10 A. 250 V.A.C.
 1/2 H.P. 125-250 V.A.C.
 5 A. 14V (T)

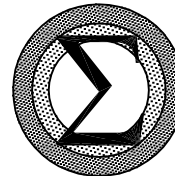
CONTACT:
 Self Cleaning

CONTACT RESISTANCE:
 LESS THAN .01 Ω AT 10 mA (INITIAL)

DIELECTRIC STRENGTH:
 2,500 V, 60 Hz FOR 1 MIN. BETWEEN MOUNTING SURFACE AND CIRCUIT CONNECTIONS.

MATERIAL:
 Housing: Nylon 94V-2
 Knob: Nylon 94V-2
 Terminal & Moving Contact: Copper Alloy, and/or Copper Alloy Silver Plated

APPROVALS:
 UL, CSA, RoHS Compliant



SIGMA Switches Plus

PART NO. S2-67-NB

DESCRIPTION

DPDT MOMENTARY-ON/OFF/
MOMENTARY-ON BLACK

YOUR KEY TO QUALITY