

Moda Sensor Repair Kit Installation Guide

INSTALL SENSORS ONTO THE TANK(S):

NOTE: This section covers the repair of our external sensor modules using the enclosed Repair Kit. Sensor styles may vary and your particular sensor package might include sensors other than the external variety described here.

An external sensor is comprised of two parts: THE FOIL TAPE and the SENSOR MODULE. Refer to **Figure #2** and repeat the following steps for each tank.

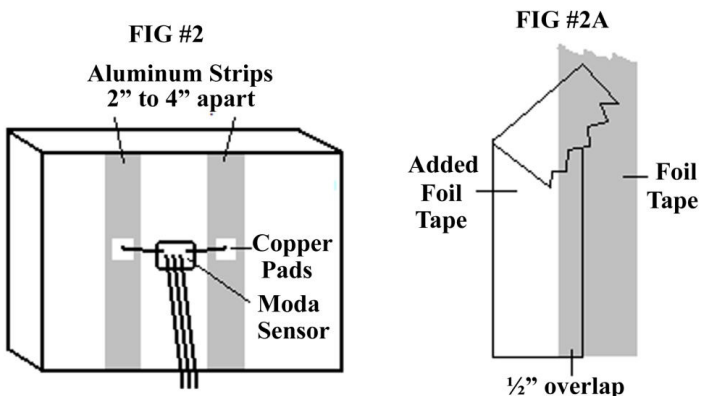
- If you are replacing the foil on your tank or changing out a tank, please note where the foil is currently on your tank as you will want to get it as close to that set-up as possible on your new layout. This will be the case as long as the sensors were working well for you previously. If you had problems with the readouts previously then you might need to change the layout a bit.
- Measure and cut to length two strips of foil tape. Each strip will run $\frac{1}{2}$ " from the top of the tank and $\frac{1}{2}$ " from the bottom of the tank (or to the lowest water level). NOTE: Each strip of foil tape should be between 15 and 40 square inches (multiply the length times the width) it may be necessary to trim away or add to the tape width to stay within these parameters.
- Prepare the tank area where the foil tape is to be placed by rubbing down the area with common isopropyl alcohol. Remove the paper backing from the foil tape strips and place them on to the tank in the designated areas. Smooth out any trapped air bubbles. Follow the dimensions on **Figure #2** below.
- If your tank is less than 8" tall, then you will need to add additional tape and/or bring the tape closer together. If you are adding additional tape width, see **Figure #2 A** below.

IMPORTANT: The foil tape strips must be an inch or more away from large metal objects such as framework, metal siding, stored items, etc...

- Remove the paper backing from the copper pads and from the module. Place a copper pad onto each of the two foil tape strips.
- Cut the white wires from your old sensor and strip them approximately $\frac{1}{4}$ ". Using the supplied Butt Connectors, attach the wires coming off the new copper pads to the white wires coming off your sensor and crimp them well. Stick your moda sensor back to the tank.
- When you have installed the entire system, calibrated and tested it; you can then apply a thin coating of 3M-spray (ie. Formula 77, 90 or other), or any non-conductive adhesive over the top surface area of the exposed tape to ensure corrosion will not occur. This is optional and will not affect the outcome of your readings.

IMPORTANT: PROVIDE ADEQUATE VENTILATION WHEN APPLYING THE ADHESIVE, PARTICULARLY IF WORKING IN A CONFINED AREA.

NOTES: The copper pads can be trimmed if they exceed the width of the foil tape, they can also be placed anywhere UP or DOWN the length of the tape.



Black wires from Sensors can also be linked together and grounded

Just for reference purposes, this is the basic layout of the monitor system.

