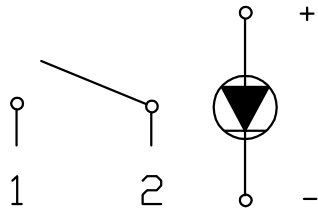


A6-63

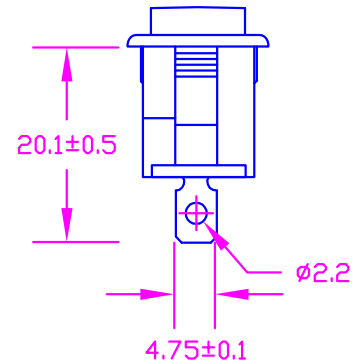
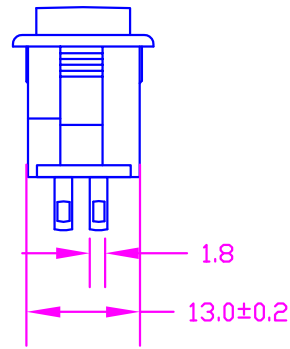
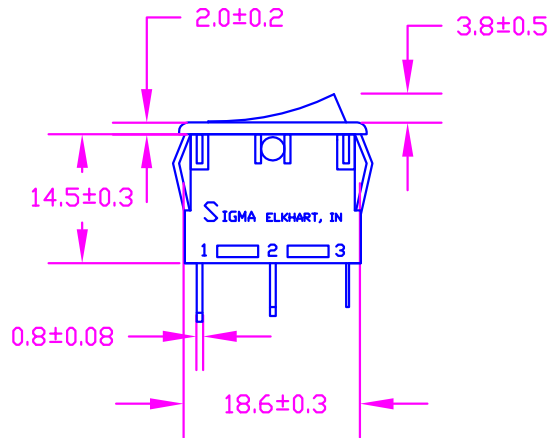
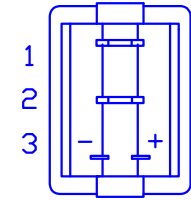
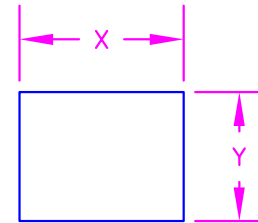
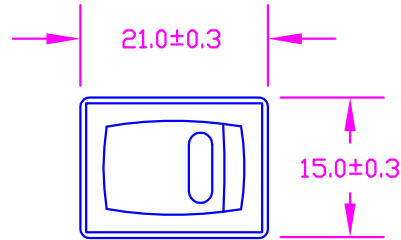
NOTE: CUTOUT SIZE IS FOR REFERENCE ONLY AND MAY VARY DEPENDING ON THE THICKNESS OF THE MATERIAL USED.

BOTTOM VIEW

CIRCUIT STRUCTURE



Mat'l Thickness	X	Y
0.75 - 1.25	19.2-0.1	13.0+0.1
1.25 - 2.00	19.4-0.1	13.0+0.1
2.00 - 3.00	19.8-0.1	13.0+0.1



SPECIFICATIONS:
 20A 14V D.C.
 LED 30 MCD minimum
 LED 100,000 hour life

CONTACT RESISTANCE:
 50M Ω Max.

DIELECTRIC STRENGTH:
 AC 1500V 1 minute

INSULATION RESISTANCE:
 DC 500V 100M Ω Min.

ELECTRICAL LIFE:
 >6,000 operations
 Volt drop: <100mV
OPERATING LIFE:
 >100,000 operations

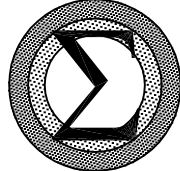
AMBIENT TEMPERATURE:
 -20°C to +85°C

HUMIDITY:
 Max. 85%

SALT SPRAY TEST:
 No remarkable rust in metal parts. (5% salt / 35°C 24 Hrs)

MATERIAL:
 Housing: nylon (UL flame: 94V-2)
 Terminal: Gold plated .002MM
 Contact: Gold plated .002MM

APPROVALS:
 UL, CUL, RoHS Compliant



SIGMA Switches Plus

PART NO. A6-63

DESCRIPTION
 SPST RED/BLACK
 INDEPENDENT 12V LED