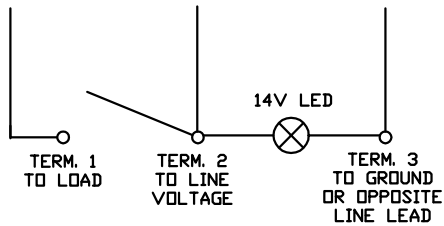


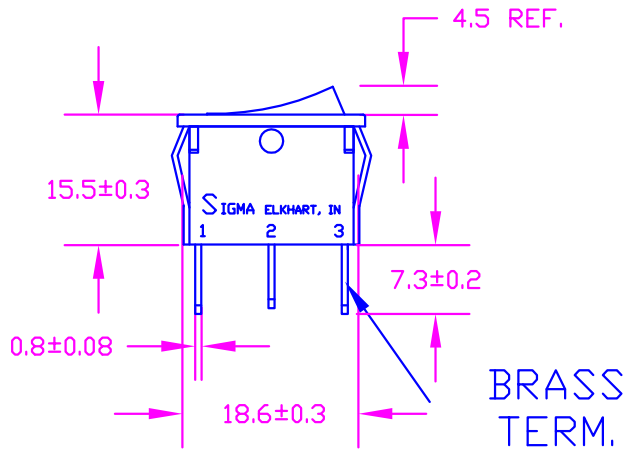
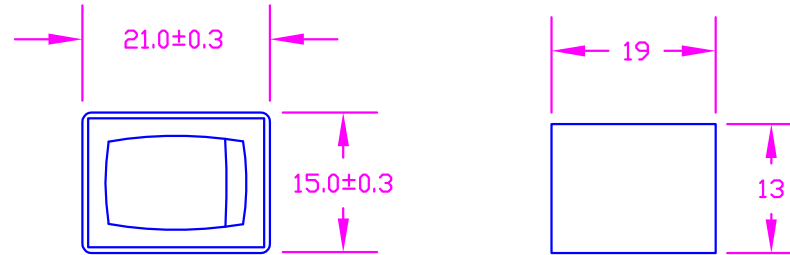
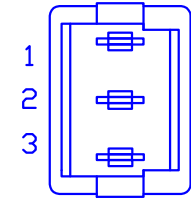
20A-23

ILLUMINATED WIRING DIAGRAM

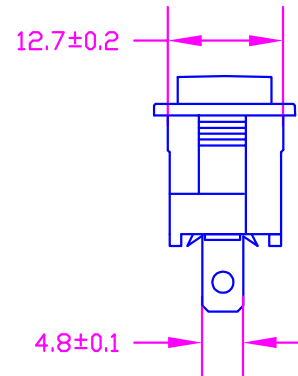


NOTE: CUTOUT SIZE IS FOR REFERENCE ONLY AND MAY VARY DEPENDING ON THE THICKNESS OF THE MATERIAL USED.

BOTTOM VIEW



BRASS TERM.



SPECIFICATIONS:
 10A 125VAC UL, CUL
 6A 250VAC UL, CUL
 16A 12VDC
 10A 28VDC
 6A 14V(T)

CONTACT RESISTANCE:
 < 50M Ω

INSULATION RESISTANCE:
 >100M Ω

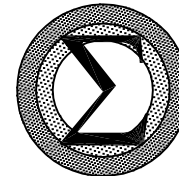
DIELECTRIC STRENGTH:
 1250VAC 50Hz 1 min 0.5mA

MECHANICAL LIFE:
 50,000 Cycles

OPERATING TEMPERATURE:
 0°C~85°C

MATERIAL:
 Housing: nylon (UL flame: 94V-0) - Black
 Actuator: Polycarbonate - Transparent Red
 Terminal: Silver plated brass

APPROVALS:
 UL, CUL, RoHS Compliant



SIGMA Switches Plus

PART NO. 20A-23

DESCRIPTION
 SPST RED/BLACK
 14V LED ILLUMINATION

YOUR KEY TO QUALITY